

Toilet indicator f/ timber doors

Knud Holscher collection

Product

cc 38mm, 18-34mm, 5mm spindle.

Tender text

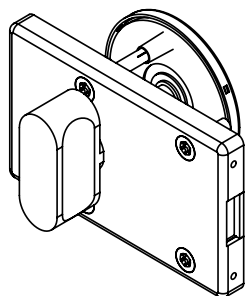
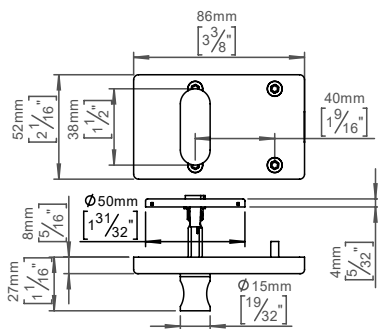
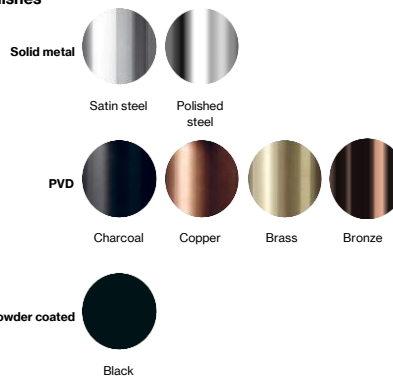
Knud Holscher collection, toilet surface indicator, cc 38mm, 18-34mm, 5mm spindle. Manufactured in the highest quality marine grade, AISI 316 stainless steel, protecting against high levels of corrosion. 20-year warranty.

Product specification

Dimensions: 52x86x22mm

Material: stainless steel AISI 316

Surface finish: satin grain 320, crafted by hand

[20-year warranty \(5 years for coated items\)](#)

Available finishes

Spare parts/ accessories

P 80 - Sectioned bolt M4x110mm

Mounting
<https://dline.com/mounting-instructions/>
Product care

d line products are produced in the highest quality marine grade AISI 316 stainless steel. To sustain the unique d line finish please follow the below instructions:

- Wash down the surfaces using soapy water or mild detergent
- Always thoroughly rinse off with clean water
- To complete the cleaning procedure dry/polish the surface with a soft dry cloth

Please do not use scouring powder, steel wool, chloride based detergents or other aggressive cleaning products as these may damage the surface.

If spots or corrosion appear on the surface it is not due to the stainless steel quality, but to impurities in the environment, aggressive conditions or improper or insufficient cleaning.