

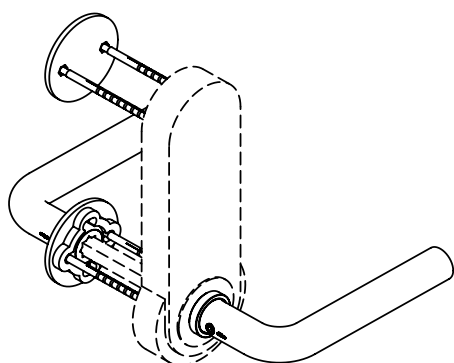
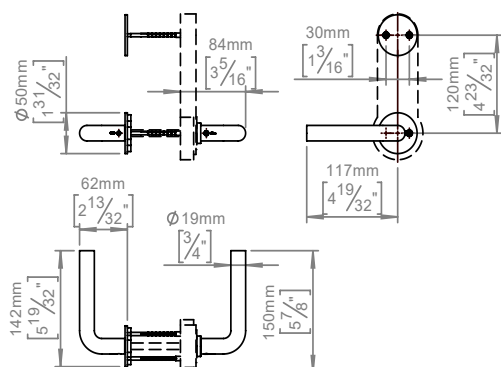
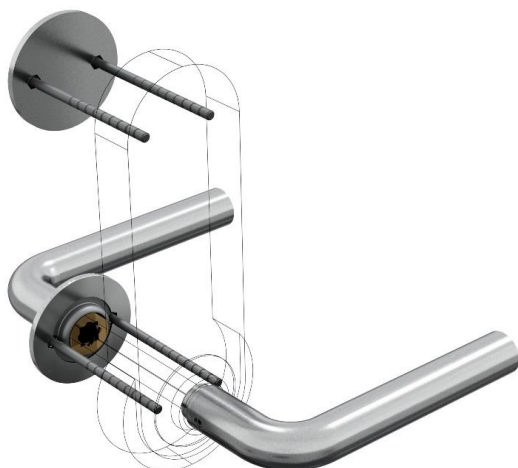
# Lever handle, 19L, f/Simons Voss AX, SKA

## Knud Holscher collection

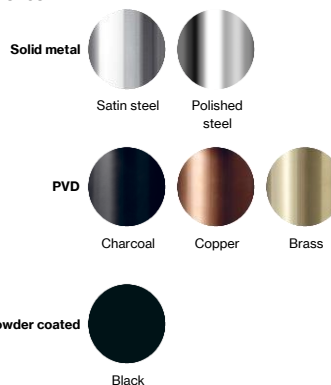
**Product** Lever handle, 19L, for Simons Voss AX, cc-30mm

**Tender text** Knud Holscher collection lever handle, 19L, for Simons Voss AX, cc-30mm. Manufactured in the highest quality marine grade, AISI 316 stainless steel, protecting against high levels of corrosion. Unique ball bearing system to secure extraordinary long lifespan. 20-year warranty.

**Product specification** Dimensions: 142x50x62 mm;  
Material: stainless steel AISI 316;  
Surface finish: satin;



### Available finishes



**Spare parts/ accessories** 14970102019 - Grub screw M5x8,3mm;  
14970474065 - Sectioned bolt M4 x 110 mm

**Mounting** <https://dline.com/mounting-instructions/>

### Product care

d line products are produced in the highest quality marine grade AISI 316 stainless steel. To sustain the unique d line finish please follow the below instructions:

- Wash down the surfaces using soapy water or mild detergent
  - Always thoroughly rinse off with clean water
  - To complete the cleaning procedure dry/polish the surface with a soft dry cloth
- Please do not use scouring powder, steel wool, chloride based detergents or other aggressive cleaning products as these may damage the surface.
- If spots or corrosion appear on the surface it is not due to the stainless steel quality, but to impurities in the environment, aggressive conditions or improper or insufficient cleaning.