

Single hole sensor tap

Qtoo collection

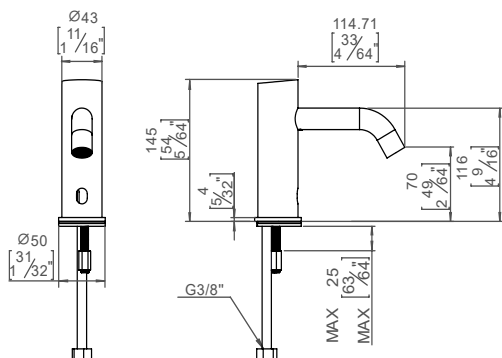
Product Infrared sensor tap for counter top installation

Tender text QTOO collection, single hole sensor tap. Manufactured in the highest quality marine grade, AISI 316 stainless steel, protecting against high levels of corrosion and securing cleaner drinking and utility water.

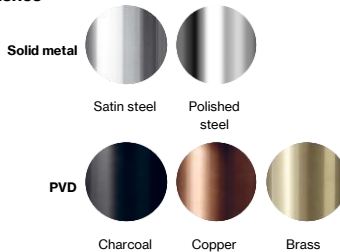
Re-handle® this product to prolong its life span up to 100 years, lowering the Global Warming potential (CO2).

[Re-handle your product here](#)

Product specification Projection: 130mm - 5 1/8"
 Fixed spout
 Built in aerator
 Total height: 145mm - 5 45/64"
 Height to aerator: 70mm - 2 3/4"
 Max. flow rate: 5L - 1,3gpm
 Comfort time out 2 sec.
 Security time out 30 sec.
 Automatic rinse cycle (deactivated)
 Use with Flexbox QSF01
 Temperature control in Flexbox
 Max. work pressure 8 bar
 Lead free compliant
 Material: Marine grade AISI 316 stainless steel
[20-year warranty \(5 years for coated items\)](#)



Available finishes



Please note: PVD and powder coated items cannot be Re-handled

Spare parts/ accessories QSF01 - Premix Flexbox

Mounting <https://dline.com/mounting-instructions/>

Product care
 d line products are produced in the highest quality marine grade AISI 316 stainless steel. To sustain the unique d line finish please follow the below instructions:
 • Wash down the surfaces using soapy water or mild detergent
 • Always thoroughly rinse off with clean water
 • To complete the cleaning procedure dry/polish the surface with a soft dry cloth
 Please do not use scouring powder, steel wool, chloride based detergents or other aggressive cleaning products as these may damage the surface.
 If spots or corrosion appear on the surface it is not due to the stainless steel quality, but to impurities in the environment, aggressive conditions or improper or insufficient cleaning.